

# State of Wyoming Corner Record

(In compliance with the *CORNER PERPETUATION AND FILING ACT*, Wyoming Statutes, 1997 Section 33-29-140 et. seq., and the Rules and Regulations of the Board of Professional Engineers and Professional Land Surveyors)

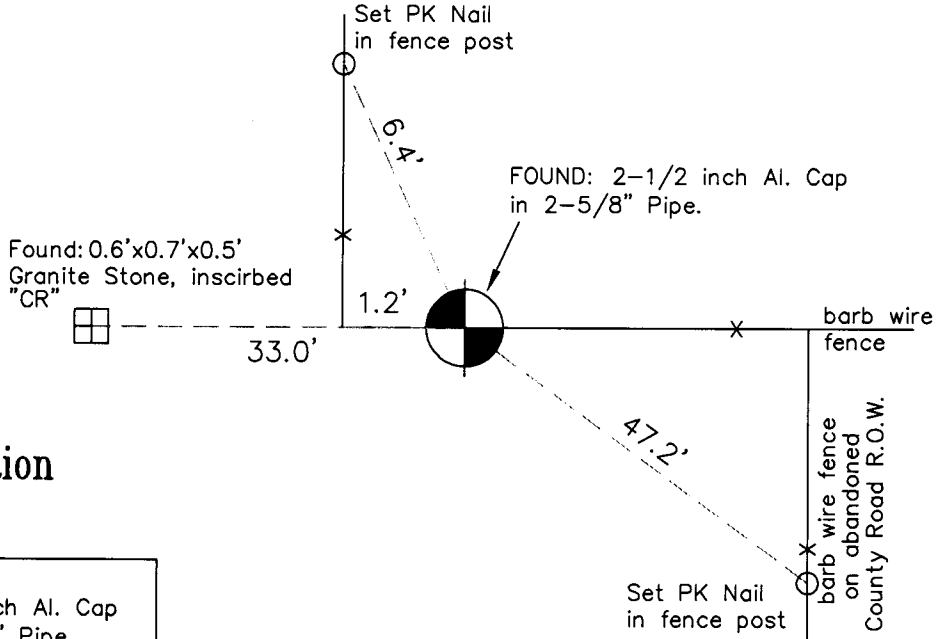
Reverse side of this form may be used if more space is needed.

Record of original survey and citation of source of historical information (if corner is lost or obliterated). Description of corner monumentation evidence found and/or monument and accessories established to perpetuate the location of this corner. Sketch of relative location of monument, accessories, and reference points with course and distance to adjacent corner(s) (if determined in this survey). Method and rationale for reestablishment of lost or obliterated corner.

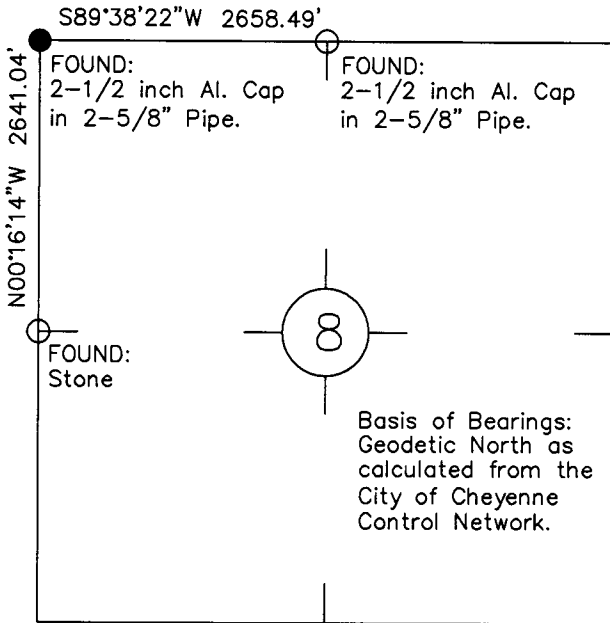
## Description

FOUND: 2-1/2 inch Al. Cap in 2-5/8" iron pipe for the northwest corner of Section 8, T14N, R67W, 6th P.M. Inscribed as shown.

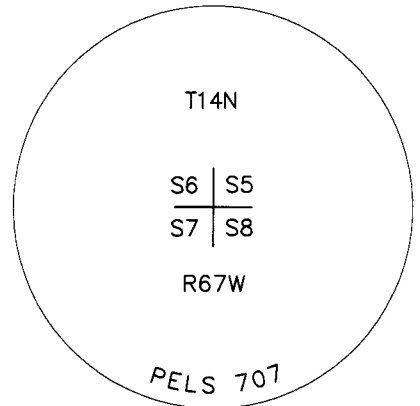
## References



## Monument location



## Monument Inscription



Date of Field Work: 3/18/06

Office Reference: Annex

## Cross Index Plat

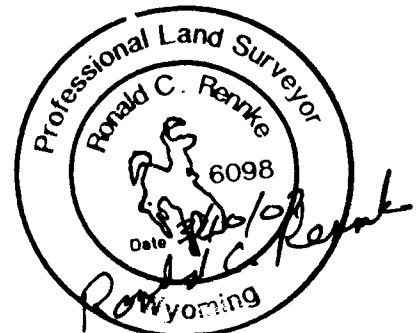
|   |   |   |   |   |   |   |   |   |   |    |    |    |    |    |    |    |    |    |    |    |    |    |    |    |    |    |
|---|---|---|---|---|---|---|---|---|---|----|----|----|----|----|----|----|----|----|----|----|----|----|----|----|----|----|
|   | 1 | 2 | 3 | 4 | 5 | 6 | 7 | 8 | 9 | 10 | 11 | 12 | 13 | 14 | 15 | 16 | 17 | 18 | 19 | 20 | 21 | 22 | 23 | 24 | 25 |    |
| A |   |   |   |   |   |   |   |   |   |    |    |    |    |    |    |    |    |    |    |    |    |    |    |    |    |    |
| B |   |   |   |   |   |   |   |   |   |    |    |    |    |    |    |    |    |    |    |    |    |    |    |    |    |    |
| C |   |   | 6 |   | 5 |   |   | 4 |   |    |    | 3  |    |    |    |    |    |    |    |    |    |    | 2  |    |    | 1  |
| D |   |   |   |   |   |   |   |   |   |    |    |    |    |    |    |    |    |    |    |    |    |    |    |    |    |    |
| E |   |   |   |   |   |   |   |   |   |    |    |    |    |    |    |    |    |    |    |    |    |    |    |    |    |    |
| F |   |   |   |   |   |   |   |   |   |    |    |    |    |    |    |    |    |    |    |    |    |    |    |    |    |    |
| G |   |   |   | 7 |   |   |   | 8 |   |    |    | 9  |    |    |    |    |    |    |    |    |    |    | 10 |    |    | 11 |
| H |   |   |   |   |   |   |   |   |   |    |    |    |    |    |    |    |    |    |    |    |    |    |    |    |    |    |
| J |   |   |   |   |   |   |   |   |   |    |    |    |    |    |    |    |    |    |    |    |    |    |    |    |    |    |
| K |   |   |   |   |   |   |   |   |   |    |    |    |    |    |    |    |    |    |    |    |    |    |    |    |    |    |
| L |   |   |   |   |   |   |   |   |   |    |    |    |    |    |    |    |    |    |    |    |    |    |    |    |    |    |
| M |   |   |   |   |   |   |   |   |   |    |    |    |    |    |    |    |    |    |    |    |    |    |    |    |    |    |
| N |   |   |   |   |   |   |   |   |   |    |    |    |    |    |    |    |    |    |    |    |    |    |    |    |    |    |
| O |   |   |   |   |   |   |   |   |   |    |    |    |    |    |    |    |    |    |    |    |    |    |    |    |    |    |
| P |   |   |   |   |   |   |   |   |   |    |    |    |    |    |    |    |    |    |    |    |    |    |    |    |    |    |
| Q |   |   |   |   |   |   |   |   |   |    |    |    |    |    |    |    |    |    |    |    |    |    |    |    |    |    |
| R |   |   |   |   |   |   |   |   |   |    |    |    |    |    |    |    |    |    |    |    |    |    |    |    |    |    |
| S |   |   |   |   |   |   |   |   |   |    |    |    |    |    |    |    |    |    |    |    |    |    |    |    |    |    |
| T |   |   |   |   |   |   |   |   |   |    |    |    |    |    |    |    |    |    |    |    |    |    |    |    |    |    |
| U |   |   |   |   |   |   |   |   |   |    |    |    |    |    |    |    |    |    |    |    |    |    |    |    |    |    |
| V |   |   |   |   |   |   |   |   |   |    |    |    |    |    |    |    |    |    |    |    |    |    |    |    |    |    |
| W |   |   |   |   |   |   |   |   |   |    |    |    |    |    |    |    |    |    |    |    |    |    |    |    |    |    |
| X |   |   |   |   |   |   |   |   |   |    |    |    |    |    |    |    |    |    |    |    |    |    |    |    |    |    |
| Y |   |   |   |   |   |   |   |   |   |    |    |    |    |    |    |    |    |    |    |    |    |    |    |    |    |    |
| Z |   |   |   |   |   |   |   |   |   |    |    |    |    |    |    |    |    |    |    |    |    |    |    |    |    |    |
|   | 1 | 2 | 3 | 4 | 5 | 6 | 7 | 8 | 9 | 10 | 11 | 12 | 13 | 14 | 15 | 16 | 17 | 18 | 19 | 20 | 21 | 22 | 23 | 24 | 25 |    |

Firm/Agency, Address

City of Cheyenne  
2101 Oneil Ave.  
Cheyenne, Wyoming 82001  
 Telephone Number: (307)637-6289

This corner record was prepared by me or under my direction and supervision.

SEAL & SIGNATURE



RECORDED 3/14/2007 AT 2:00 PM REC# 470161 BK# 1997 PG# 436  
 DEBRA K. LATHROP, CLERK OF LARAMIE COUNTY, WY PAGE 1 OF 1

Corner Name Northwest Corner Section 8, T 14 N, R 67 W, 6th P.M.  
 County: Laramie, Wyoming

Cross-Index No.: E-5

SBRPEPLS/PLSW: March 1994; PLSW January 1998